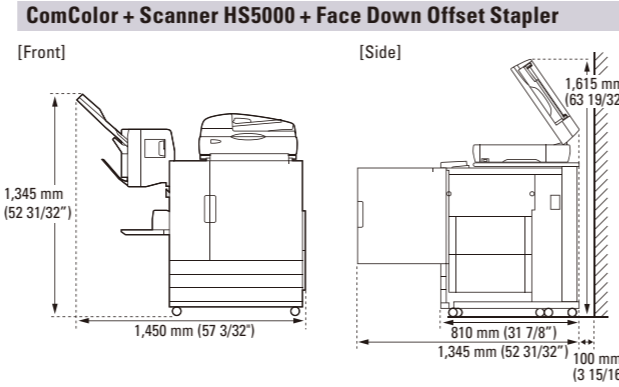
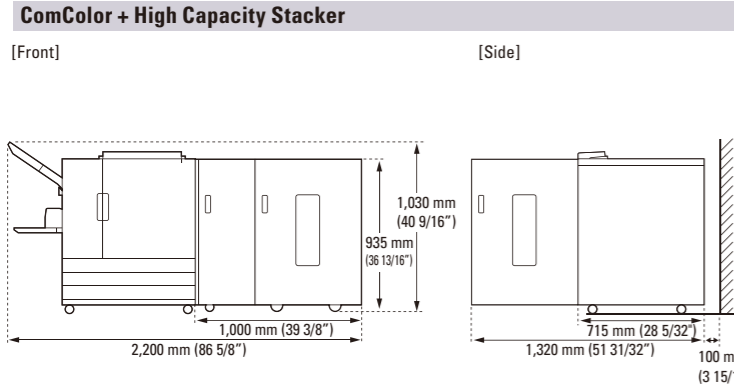
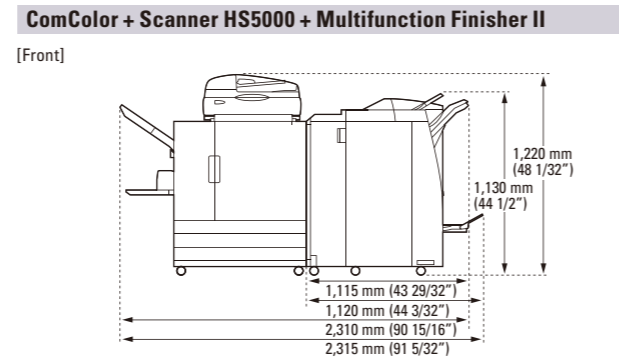
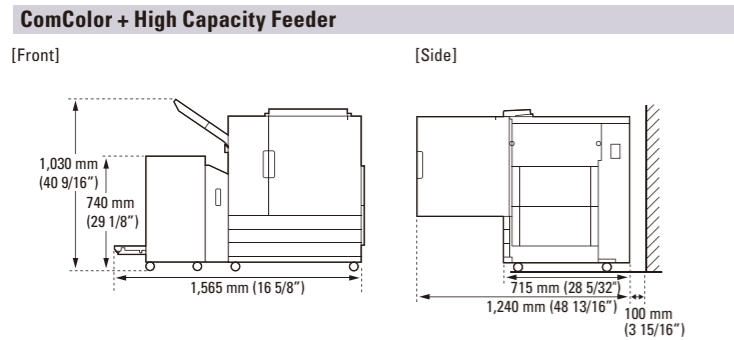
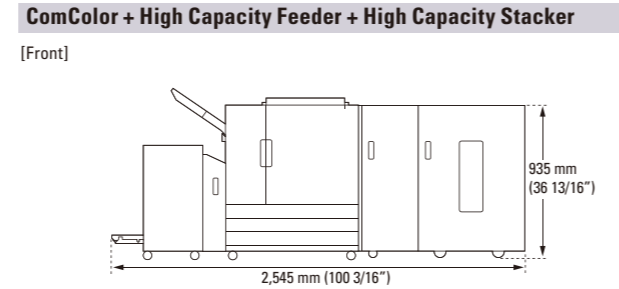
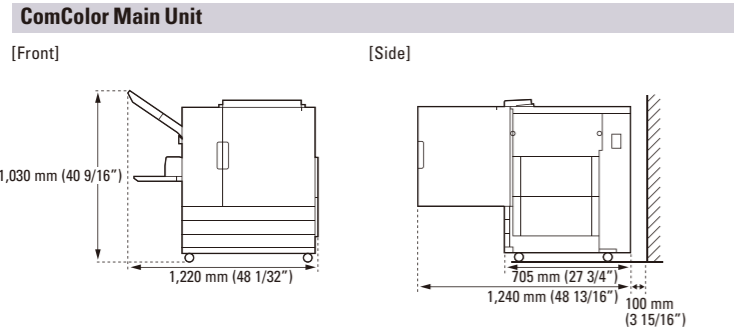


Dimensions



Specifications are subject to change without notice.

For more details please contact:

RISO logo, ComColor, and ComColorExpress are either registered trademarks or trademarks of Riso Kagaku Corporation. Adobe and PostScript are either registered trademarks or trademarks of Adobe Systems Incorporated in the United States and/or other countries. Mac OS and AppleTalk are trademarks of Apple, Inc. Microsoft, Windows, Windows Server, and Windows Vista are either registered trademarks or trademarks of Microsoft Corporation in the United States and/or other countries. Intel, Pentium, and Xeon are trademarks of Intel Corporation in the United States and/or other countries. Other corporate names and/or trademarks are either registered trademarks or trademarks of each company, respectively.

RISO RISO KAGAKU CORPORATION
5-34-7 Shiba, Minato-ku, Tokyo 108-8385 Japan
<http://www.riso.com>

Printed in Japan. RAD No.9716831
H27-7



Office use

Centralized high-volume printing

Speed up your color communications to boost up your business

Transaction

Form/envelope printing

Extensive accessories that meet your diverse needs.

RISO provides a wide range of accessories ready for the massive processing capacity of the ComColor series. These effectively support many different processes, such as paper feeding, stapling, punching, binding and so on, while shortening work time and reducing outsourcing/personnel costs. Simple and reliable automatic operation minimizes errors associated with manual operation.



Boosting Super-high-volume Printing

High Capacity Feeder



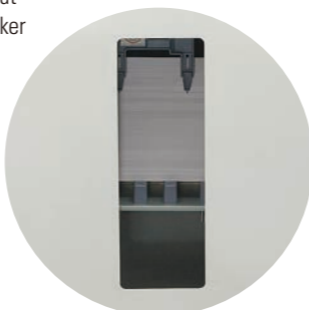
Maximize high-speed printing benefits with this option that enables uninterrupted, unattended, high-volume print runs without pausing to reload paper.



High Capacity Stacker



This option allows stacking of larger output volumes, reducing user intervention. Stacker cart neatly and easily transports finished prints.



Advanced Finishing

Multifunction Finisher II



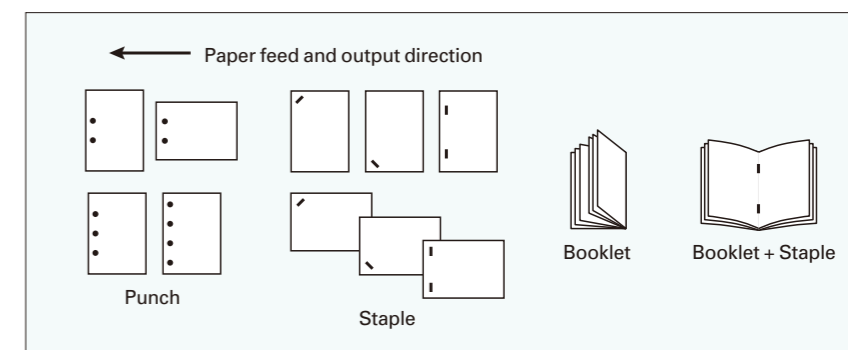
Intelligent inline functions performed automatically simplify the finishing process.

- **Stapling**
Stapling options include: One corner staple or two staples for up to 100 sheets* of paper.
- **Punching**
Holes can be punched through documents. Choose two/three holes in the U.S., or two/four holes elsewhere.
- **Folding**
Various automatic folding options are available [inward; outward; for A3/ledger-to-A4/letter sheet footprint reductions; and two-fold for up to five sheets making a 20-page booklet].
- **Booklet making**
Automatic saddle stitch stapling of up to 60 pages (15 sheets).

Face Down Offset Stapler



Compact option exclusively for offset stacking and stapling finished prints. Stapling options include: One corner staple or two staples for up to 50 sheets*.



* When using plain paper and recycled paper (85 gsm (23-lb bond))

* Applicable functions may differ according to the printer model

Quick, Easy and Versatile Color Scanning

Scanner HS5000



The auto feeder enables scanning of double-sided originals of up to 100 sheets* of paper at a time. Documents can quickly and easily be copied, scanned or stored in PDF, TIFF, and JPEG formats.

* Paper smaller than B4, 80 gsm or less

Enhanced Processing With PostScript Controller

Various functions are available, such as form printing (for combining data to a saved form), header/footer function (for adding page numbers or text), merge function (for combining various saved data into one unit) and tray select function (for selecting trays per page).

ComColorExpress IS1000C



Advanced Adobe® PostScript® 3™ controller handles complex high-volume variable data and graphic-intensive jobs.

ComColorExpress IS950C



Basic Adobe® PostScript® 3™ option.

* ComColorExpress IS1000C or IS950C required for Mac compatibility

Combine a variety of options with the ComColor to meet the specific needs of each print job.

Combination examples for various uses

Office use

ComColor + Scanner HS5000 + Face Down Offset Stapler

- Meeting handouts
- Financial documents
- In-house documents
- Proposal documents

Transaction

ComColor + High Capacity Feeder + Face Down Offset Stapler + High Capacity Stacker

- Application forms
- Sign-out forms
- Invoices
- Mails

Centralized high-volume printing

ComColor + Scanner HS5000 + High Capacity Feeder + Multifunction Finisher II

- Internal newsletters
- Textbooks
- Tests
- Instruction manuals
- Notices
- Leaflets
- Flyers

Form/envelope printing

ComColor + High Capacity Feeder

- Application forms
- Cards (greeting cards, invitations)
- Envelopes

Specifications

High Capacity Feeder

Type	External unit
Compatible Printer	ComColor 9150/9110/7150/7110/3150/3110
Paper Size	Maximum: 340 mm × 460 mm (13 3/8" × 18 1/8") Minimum: 90 mm × 148 mm (3 9/16" × 5 13/16")
Paper Type and Weight	46 gsm (12-lb bond) to 210 gsm (56-lb bond) (plain paper, recycled paper, envelopes, postcards)
Tray Capacity	Height up to 440 mm (17 5/16")
Power Source	AC 100-240 V, 1.0-0.5 A, 50-60 Hz
Power Consumption	Maximum: 100 W
Operating Noise	68 dB (A) or less A4 long-edge feed printing (simplex/duplex)
Dimensions (W × D × H)	790 mm × 625 mm × 740 mm (31 3/32" × 24 19/32" × 29 1/8")
Required Space with Printer (W × D × H)	1,565 mm × 1,240 mm × 1,030 mm (61 5/8" × 48 13/16" × 40 9/16")
Weight	Approx. 67 kg (148 lb)

High Capacity Stacker

Type	External unit
Compatible Printer	ComColor 9150/9110/7150/7110/3150/3110
Finishing Functions	Collating, offset stacking
Paper Size	Maximum: 340 mm × 460 mm (13 3/8" × 18 1/8") Minimum: 90 mm × 148 mm (3 9/16" × 5 13/16") Offset: 90 mm × 182 mm-340 mm × 432 mm (3 9/16" × 7 3/16"-13 3/8" × 17") (envelopes are not acceptable)
Paper Type and Weight	46 gsm (12-lb bond) to 210 gsm (56-lb bond) (plain paper, recycled paper, postcards)
Tray Capacity	Collating: Height up to 440 mm (17 5/16")*1 Offset: Height up to 405 mm (15 15/16")*2
Power Source	AC 100-240 V, 1.4-0.7 A, 50-60 Hz
Power Consumption	Maximum: 140 W
Operating Noise	68 dB (A) or less A4 long-edge feed printing (simplex/duplex)
Dimensions (W × D × H)	1,000 mm × 700 mm × 935 mm (39 3/8" × 27 9/16" × 36 13/16")
Required Space with Printer (W × D × H)	2,810 mm × 1,320 mm × 1,030 mm (110 5/8" × 51 31/32" × 40 9/16")
Weight	Approx. 130 kg (287 lb)

*1 For A5, postcard, envelope, irregular size, etc., height up to 110 mm (4 11/32") is applicable

*2 A5, postcard, envelope, irregular size, etc. are not applicable

Multifunction Finisher II

Compatible Printer	ComColor 9150/9110/7150/7110/3150/3110	
Tray Type	Top Tray	Collating, stacking
	Stacking Tray	Collating, offset stacking
	Booklet Tray	Booklet, paper folding
Paper Size	Top Tray*1	Maximum: 330 mm × 488 mm (13" × 19 3/16") Minimum: 100 mm × 148 mm (3 15/16" × 5 13/16")
	Stacking Tray*1	Maximum: 330 mm × 488 mm (13" × 19 3/16") Minimum: 182 mm × 182 mm (7 3/16" × 7 3/16")
	Booklet Tray*1	Maximum: 330 mm × 457 mm (13" × 18") Minimum: 210 mm × 280 mm (8 1/4" × 11")
Paper Weight	Top Tray	52 gsm (14-lb bond) to 210 gsm (56-lb bond)
	Stacking Tray	52 gsm (14-lb bond) to 210 gsm (56-lb bond)
	Booklet Tray	60 gsm (16-lb bond) to 90 gsm (24-lb bond) (cover: 210 gsm (56-lb bond))
Tray Capacity	Top Tray	50 mm (1 31/32")
	Stacking Tray	200 mm (7 7/8")
	Booklet Tray	50 mm (1 31/32")
Stapling	Maximum Number of Staples*2*3	100 sheets
	Paper Size	Maximum: 297 mm × 432 mm (11 11/16" × 17") (equivalent to A3) Minimum: 203 mm × 182 mm (8" × 7 3/16") (equivalent to B5 long-edge feed)
	Staple Position	1 at front side (angle stapling) 1 at rear side (angle stapling*4, parallel stapling) 2 at center (parallel stapling)
Punching	Number of Punches	2 holes, 3 holes 2 holes, 4 holes
	Paper Size	2 holes: A3, B4, A4, A4 long-edge feed, B5 long-edge feed, Ledger, Legal, Letter, Letter long-edge feed 3 holes: A3, B4, A4 long-edge feed, B5 long-edge feed, Ledger, Letter long-edge feed 4 holes: A3, A4 long-edge feed, Ledger, Letter long-edge feed
	Paper Weight	52 gsm (14-lb bond) to 200 gsm (53-lb bond)
Creating a Booklet (Center margin/2-fold)	Max. Number of Sheets*2*5	Center margin: 15 sheets (60 pages) 2-fold: 5 sheets (20 pages)
Power Source	AC 100-240 V, 2.0-1.0 A, 50-60 Hz	
Power Consumption	Maximum: 175 W	
Operating Noise	Max. 68 dB (when using Multifunction Finisher II)	
Dimensions (W × D × H)	1,120 mm × 765 mm × 1,130 mm (44 3/32" × 30 1/8" × 44 1/2")	
Required Space with Printer (W × D × H) (with cover and tray extended)	2,315 mm × 1,280 mm × 1,130 mm (91 5/32" × 50 13/32" × 44 1/2")	
Weight	Approx. 131 kg (289 lb)	

*1 When color printing on paper that is longer than 432 mm (17"), the image printed beyond 432 mm (17") may be distorted.

*2 When using plain paper and recycled paper (85 gsm (23-lb bond))

*3 65 sheets for a paper size exceeding A4/letter

*4 Rear-side angle stapling is only available for A4 long-edge feed and A3

*5 Includes an added cover

Face Down Offset Stapler

Type	External unit	
Compatible Printer	ComColor 9150/9110/7150/7110/3150/3110	
Finishing Functions	Offset stacking, staple	
Paper Size	Without offset	Maximum: 340 mm × 550 mm (13 3/8" × 21 5/8") Minimum: 90 mm × 148 mm (3 9/16" × 5 13/16")
	Offset output	Paper width: 131 mm to 305 mm (5 3/16" to 12")
Paper Type and Weight	46 gsm (12-lb bond) to 210 gsm (56-lb bond) (plain paper, recycled paper, postcards)	
Tray Capacity	Height up to 108 mm (4 1/4")	
Max. Number of Sheets for Staples	50 sheets*	A4, A4 long-edge feed, B5, B5 long-edge feed, Letter, Letter long-edge feed
	25 sheets*	A3, B4, Ledger, Legal
Paper Size for Staple	A3, B4, A4, A4 long-edge feed, B5, B5 long-edge feed, Ledger, Legal, Letter, Letter long-edge feed, Foolscap	
Paper Weight for Staple	52 gsm (14-lb bond) to 210 gsm (56-lb bond) (plain paper, recycled paper)	
Staple Position	1 at front side (angle stapling) 1 at rear side (angle stapling) 2 at center (parallel stapling)	
Power Source	AC 100-240 V, 1.2-0.6 A, 50-60 Hz	
Power Consumption	Maximum: 110 W	
Dimensions (W × D × H)	759 mm × 677 mm × 582 mm (29 7/8" × 26 21/32" × 22 29/32")	
Required Space with Printer (W × D × H)	1,440 mm × 705 mm × 1,345 mm (56 11/16" × 27 3/4" × 52 31/32")	
Weight	Approx. 30 kg (66 lb)	

* When using plain paper and recycled paper (85 g/m² (23-lb bond))

ComColorExpress IS1000C/IS950C

Model Name	ComColorExpress IS1000C VB-XE34G	ComColorExpress IS950C VB-PG29G
Compatible Printer	ComColor 9150/9110/7150/7110/3150/3110	
CPU	Intel® Xeon® E3-1275 3.4GHz	Intel® Pentium® G850 2.9GHz
Memory Capacity	8GB	2GB
HDD	500 GB (user available area*1: approximately 460GB)	
Controller OS	Linux	
LAN I/F	Ethernet 1000BASE-T, 100BASE-TX, 10BASE-T	
Power Source	100-240V AC, 1.1A-0.5A, 50/60Hz	100-240V AC, 0.9A-0.4A, 50/60Hz
Power Consumption	Maximum: 110 W Ready*2: 75 W or less Stand-by: 4 W or less	Maximum: 85 W Ready*2: 65 W or less Stand-by: 4 W or less
Dimensions (W × D × H)	185 mm × 415 mm × 360 mm (7 9/32" × 16 11/32" × 14 3/16") (excluding protrusions)	
Weight	Approx. 10kg (22lb)	
PDL	Adobe® PostScript® 3™ (CPSI 3019)*3, PDF (1.7), PCL/PCL XL (PCL5c 1.38), TIFF (6.0), PPML	
Applicable Protocol	TCP/IP, HTTP, HTTPS (SSL), DHCP, ftp*4, NetBIOS*5, AppleTalk, lpr, IPP, Port 9100 (RAW port), IPv4, IPv6, lpsec	
Installed Font	PS: 139 fonts (Type 1: 129, TrueType: 19) PCL: 80 fonts	
Compatible OS	Windows Server® 2003 (32-bit/64-bit), Windows Server® 2003 R2 (32-bit/64-bit), Windows Server® 2008 (32-bit/64-bit), Windows Server® 2008 R2 (64-bit), Windows® XP (32-bit), Windows Vista® (32-bit/64-bit), Windows® 7 (32-bit, 64-bit), Windows® 8 (32-bit/64-bit)*6, Windows® 8.1 (32-bit/64-bit)*6, Windows Server® 2012 (64-bit), Windows Server® 2012 R2 (64-bit), Mac® OS X v10.5, v10.6, v10.7 (Lion), v10.8 (Mountain Lion), v10.9 (Mavericks), v10.10 (Yosemite), Linux (compatible with PPD only)	

*1 User available area: Job receiving area, hold, archive, form storage, font installation area

*2 When not printing

*3 Genuine Adobe engine

*4 ftp: hot-folder function

*5 NetBIOS: printing function, hot-folder function

*6 Incompatible with Microsoft® Windows® RT

Scanner HS5000

Type	Flat bed scanner with Automatic Document Feeder (ADF)	
Compatible Printer	ComColor 9150/9110/7150/7110/3150/3110	
Scanning Modes	Color, Monochrome, Auto	
Scanning Resolution	600 dpi, 400 dpi, 300 dpi, or 200 dpi	
Maximum Scanning Area	303 mm × 432 mm (11 15/16" × 17") (when using flat bed scanner) 295 mm × 430 mm (11 5/8" × 16 15/16") (when using ADF)	
Copy	Writing Resolution	Standard: 300 dpi × 300 dpi Fine: 300 dpi × 600 dpi
	Copy Paper Size	Maximum: 303 mm × 432 mm (11 15/16" × 17") (equivalent to A3)
	Initial Copy Time	Monochrome/Color: 7 sec or less (when copying A4/letter long-edge feed orientation using Color Priority Mode)
	Scanning Speed	Simplex copying (A4/letter long-edge feed, using ADF): 50 ppm or higher Duplex copying (A4/letter long-edge feed, using ADF): 12 sheets/minute (24 ppm) or higher
Scaling	50% to 200% (Copy mode)	
	50% to 200% (Scanner mode, resolution: 200/300 dpi), only 100% (Scanner mode, resolution: 400/600 dpi)	
Auto Document Feeder	Type	Original (transfer, duplex scanning with switch-back system)
	Original Source Size: Maximum	297 mm × 432 mm (11 11/16" × 17") (equivalent to A3)
	Original Source Size: Minimum	Simplex: 100 mm × 148 mm (3 15/16" × 5 13/16") Duplex: 128 mm × 182 mm (5 2/32" × 7 3/16")
	Paper Weight	52 gsm (14-lb bond) to 128 gsm (34-lb bond)
	Original Capacity: Smaller than B4	Max. 100 sheets*1
	Original Capacity: B4 or Larger	Max. 60 sheets*2
Scan	Scanning Speed	Simplex printing: 50 ppm or higher (A4/letter long-edge feed) Duplex printing: 12 sheets/minute (24 ppm) or higher (A4/letter long-edge feed)
	Scanning Gray Levels	10-bit input and 8-bit output for each RGB color
	Scanning Speed	Monochrome/Color: 50 ppm
	Network Interface*3	Ethernet 1000BASE-T/100BASE-TX/10BASE-T
Data-saving Method*3	Main unit hard drive, external server, or USB flash drive, or e-mail	
Data-saving Format*3	Monochrome: TIFF, PDF Grayscale/full Color: TIFF, JPEG, PDF	
Power Source	AC 100-240 V, 1.0-0.6 A, 50-60 Hz	
Power Consumption	Maximum: 100 W	
Dimensions (W × D × H)	650 mm × 560 mm × 255 mm (25 19/32" × 22 1/16" × 10 1/32")	
Required Space with Printer (W × D × H) (with cover and tray extended)	1,225 mm × 1,345 mm × 1,615 mm (48 7/32" × 52 31/32" × 63 19/32")	
Weight	Approx. 26 kg (57 lb)	

*1 80 gsm (21-lb bond) or less. More than 80 gsm (21-lb bond): Height up to 15 mm (5/8")

*2 80 gsm (21-lb bond) or less. More than 80 gsm (21-lb bond): Height up to 9 mm (3/8")

*3 Via the internal host controller