



Achieves higher-grade multi-color printing



Digital duplicator

2 Color printing Compatible

RISO MH 9450

Ledger

150
ppm

600×600
dpi

Full-color LCD
touch panel

Versatile
connectivity

RISO continues to evolve, making it your ideal partner.

This unique duplicator can print two colors at once. It combines superior printing quality, a simple process, economical cost, and print productivity.

The RISO digital duplicator has been evolving to make multi-color printing more convenient and interesting. The MH series offers excellent performance, which is ideal for business printing, artwork, and school printing tasks.

HIGH PRODUCTIVITY

150 ppm

Single pass, two color printing



DOUBLE IMPACT PRINTING

Two-color

A wide variety of color combination

600 × 600 dpi

RISO MH9450





Highly productive with two-color printing at 150 ppm

Single-pass process for two-color printing

The MH series is a digital duplicator based on the principle of stencil printing. It comes equipped with two drums and can print with two colors in a single pass. Unlike using single-color digital duplicators for two-color output, there is no need to wait for the ink to dry before resuming with the next print task, to reinsert paper in the feed tray or to change the color drums.

High-speed two-color printing at 150 ppm

Printing 1000 pages in approximately 7 minutes, this surprising productivity will efficiently support your heavy workload requirements.

Versatile paper handling capability

The MH series handles a wide range of paper types such as recycled paper, coarse paper, cards and envelopes. The paper trays have a capacity of 1000 sheets* for both feeding and receiving.

*When using the following weight of paper: 64 gsm to 80 gsm

OUTSTANDING image quality.

RISO offers awesome 600 x 600 dpi scanning and printing.

Two colors to create impressive photo images and enrich your communication

The MH series lets you communicate your ideas quickly, beautifully and usefully. Photos and illustrations can be reproduced with highly-defined colors that will enhance your power of expression.

High level image-processing

Optimizes shadow areas through enhanced gamma correction. Sharp outlines with contour enhancement achieved.

Various functions for optimum output

- Auto base control
- Four image-processing modes: Line, Photo, Duo (Line & Photo), Pencil
- Tone smooth function.



High scanning quality

The MH series has achieved higher photo quality in scanning. When scanning a document with photos, it provides beautiful two-color separation of the photos and smooth tonal gradation even with photo images. In addition, equalized dot description reduces blown-out highlight areas.



Photo document (original before scanning)



Printed by previous models



Printed by the RISO MH series

Easier master-making with color separation function (available for scanned paper original)

The MH series makes it simple to create two-color masters (Color Separation, Specified Area, Separation Sheet, Color Editor). Color separations can be selected from red/black, green/black, blue/black, warm/cool, and chromatic/achromatic.

Ink Color Variations

20 standard colors, 50 custom colors and special order-made colors are available. A wide range of printing colors can meet the needs of a variety of print jobs.

Red	Bright Red	RISO-Marine Red	Burgundy	Brown	Yellow	Green
Teal	Blue	Medium Blue	RISO-Fed. Blue	Purple	Flat Gold	Orange
Crimson	Hunter Green	Gray	Light Gray	Fluorescent Pink	Fluorescent Orange	

[Custom colors]





RISO enables simple operation through its intuitive panel and interface design.

Full-color control panel

Easy-to-use control panel provides intuitive operation. Functions for printing, copying, scanning, and managing data are all at your fingertips, logically arranged for intuitive operation on a large 7-inch color LCD touch screen.



Application linkage (RISO PANEL-D)

A tablet device can be connected to the MH series via a USB cable and you can print through the app on the tablet.* The operation guide can be viewed, and two-color separation can be done. The program printing function can also be operated with a tablet.

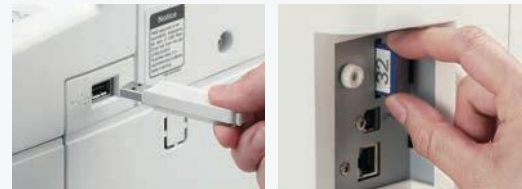


* Free app download is required to use the tablet. Please ask your sales representative about tablet operating systems.

Various printing approaches

The MH series offers a variety of ways to print, depending on your specific requirements.

- PC Printer Drivers
- Direct printing from a USB flash drive
- General SD card compatible for data storage
- Scan and copy



Versatile program printing

The Program Printing function is very useful when you need to print the number of test papers required for the number of students in each class at your school, or to distribute multiple printed materials to each class.

Paper insertion function for easier sorting

The MH series can be programmed to insert a sheet each time a designated number of pages has been printed. This makes it easier to sort and confirm the number of documents completed.

Quick Master Making mode

Quick Master Making mode shortens master-making time while still maintaining image quality.

Low energy consumption with minimum waste of resources

Energy Saving

RISO Digital Duplicators do not use toners so a heater that is usually required for fixing toner to the paper is not necessary. They employ automatic shut-off and sleep functions after a certain time interval elapses, to effectively reduce power consumption.

Ink-saving mode

While maintaining printing quality, the amount of ink used can be reduced by 20%.*

*This may differ depending on printing mode, the documents and other conditions.

Rice bran oil ink

Rice bran oil ink contributes to environmental sustainability. Rice bran, which would otherwise be wasted, is a raw material with no VOCs, so after the oil is extracted for the ink, it can subsequently be used as fertilizer or animal feed.



RISO INK FII TYPE HD BLACK and RISO INK FII TYPE Color are certified with environmental certification marks issued by ink industry groups in Japan.

Environmental Certifications

The MH9450 is Qualified with the following environmental certifications.



Overwhelmingly economical print costs

The MH series makes prints from a master. As a result, the more pages generated from each master, the lower the cost per print, making it highly economical for medium- to high-volume printing.

Optional Accessories



RISO F II Type HD Drum
Enables color printing
(Case included)



RISO Auto Document Feeder AF-VII
Scans multiple documents automatically.



RISO Job Separator IV; NIII
Enables easy separation of printed sheets by inserting tape strips.

- IC Card Reader Activation Kit RG
- Wide Stacking Tray (Allows use of paper up to 21 27/32 inches (555 mm) in long edge.)
- RISO Printer driver for Macintosh



Card Feed Kit
Compatible with paper weight 100 gsm to 400 gsm.
*Please contact a RISO sales executive for the kinds of paper that may be used.



Envelope Feed Kit
Compatible with paper weight 50 gsm to 120 gsm.
*Please contact a RISO sales executive for the kinds of paper that may be used.



RISO DRUM STORAGE STAND III 2 COLOR
Deluxe and with doors for convenient storage with a neat appearance.



RISO STAND N TYPE III 2 COLOR
Sturdy open-front stand also offers convenient storage of consumables.

Consumables

RISO iQualitySystem



The RISO iQuality mark indicates a RISO product compatible with the RISO iQuality System.



RISO INK FII TYPE Color (1000 ml)



RISO MASTER FII TYPE HG97
RISO MASTER FII TYPE HD87
(Ledger: 215 sheets)



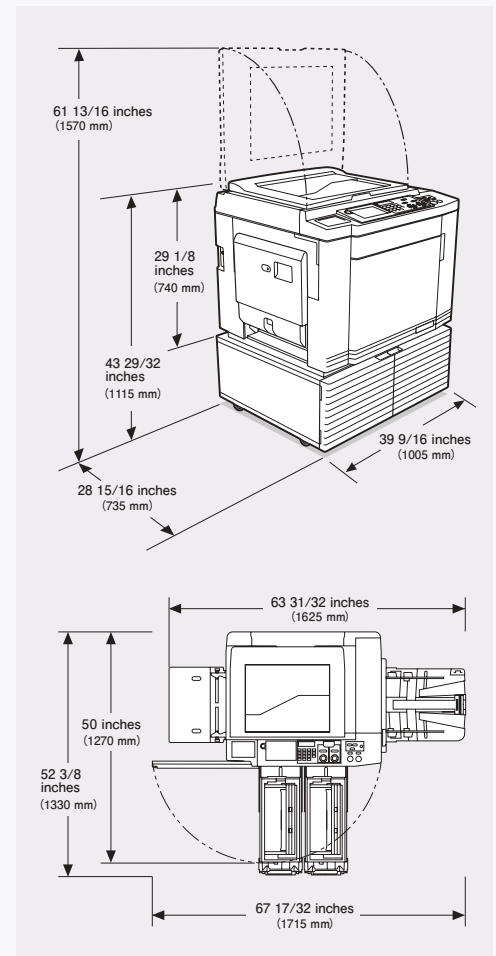
RISO INK FII TYPE HD BLACK (1000 ml)

Specifications

Master Making/Printing Methods		High-speed digital master-making/Fully automatic printing
Original type		Book or Sheet
Master Making Time ¹ (Letter short edge feed)	Quick Master Making Mode	Dual color print: approx. 53 seconds Mono color print with drum (cylinder) 1: approx. 22 seconds Mono color print with drum (cylinder) 2: approx. 32 seconds
	Normal Master Making Mode	Dual color print: approx. 57 seconds Mono color print with drum (cylinder) 1: approx. 24 seconds Mono color print with drum (cylinder) 2: approx. 34 seconds
Resolution	Scanning	600 dpi × 600 dpi
	Printing	600 dpi × 600 dpi, Quick Master Making Mode: 600 dpi × 400 dpi
Maximum Scanning Area		11 11/16 inches × 17 inches (297 mm × 432 mm)
Print paper weight		12-lb bond to 116-lb index (46 gsm to 210 gsm)
Print Paper Size ²	Dual color print	Standard size: Ledger, Letter, Legal, Catalog envelope (9 × 12), Catalog envelope (10 × 13), B5, A4, B4, A3, Foolscap, C4 Custom size: 3 15/16 inches × 9 11/16 inches to 12 19/32 inches × 17 inches (100 mm × 246 mm to 320 mm × 432 mm)
	Mono color print with drum (cylinder) 1	Standard size: Ledger, Letter, Letter (long edge feed), Legal, Statement, Catalog envelope (9 × 12), Catalog envelope (10 × 13), Number 10 envelope (4.125 × 9.5), B6, A5, B5, B5 (long edge feed), A4, A4 (long edge feed), B4, A3, Foolscap, C4, C5, C5 (long edge feed), C6, DL Custom size: 3 15/16 inches × 5 13/16 inches to 12 19/32 inches × 17 inches (100 mm × 148 mm to 320 mm × 432 mm)
	Mono color print with drum (cylinder) 2 (when drum (cylinder) 1 is set in place)	Standard size: Ledger, Letter, Legal, Catalog envelope (10 × 13), Catalog envelope (9 × 12), B5, A4, B4, A3, Foolscap, C4 Custom size: 3 15/16 inches × 9 11/16 inches to 12 19/32 inches × 17 inches (100 mm × 246 mm to 320 mm × 432 mm)
	Mono color print with drum (cylinder) 2 (when drum (cylinder) 1 is removed) ³	Standard size: Ledger, Letter, Legal, Catalog envelope (10 × 13), B5, A4, B4, A3, Foolscap, C4 Custom size: 3 15/16 inches × 12 13/32 inches to 12 19/32 inches × 17 inches (100 mm × 315 mm to 320 mm × 432 mm)
Maximum Printing Area		11 15/32 inches × 16 23/32 inches (291 mm × 425 mm)
Paper Feed Tray Stacking Capacity		1000 sheets* (stacking height of 4 11/32 inches [110 mm] or less)
Paper Receiving Tray Stacking Capacity		1000 sheets* (stacking height of 4 11/32 inches [110 mm] or less)
Print Speed		6 levels: 60, 80, 100, 110, 120, and 150 (High Speed ⁵) sheets per minute
Print Position Adjustment		Horizontal: ±19/32 inches, Vertical: ±13/32 inches (Horizontal: ±15 mm, Vertical: ±10 mm)
Image Processing Mode		Line, Photo (Standard/Portrait), Duo (Standard/Line/Photo/Shadow off), Pencil (Darker/Lighter)
Print Reproduction Ratio		Zoom (50% to 200%), Free, 100% reduction ratio, Margin + (90% to 99%), Enlargement (200%, 154%, 129%, 121%), Reduction (78%, 65%, 61%, 50%)
User Interface		Color touch panel
Functions		Image, Contrast, Size, Paper Size Detection, D-Feed Check, Dot Process, Contrast Adj., Tone Curve, Layout, Multi-Up Print, 2 Up, Book Shadow, Top Margin Adj., Binding Margin Adj., Max. Scan, Ink Saving, Quick Master Making, Preview, ADF Semi-Auto ⁶ , Storage, Overlay, Stamp, Print Speed Adjustment, Print Density Adjustment, Print Position Adjustment, Interval, Renew Page, Auto Page Renewal, OneSide MasterMake, Rotate, Special Paper Ctrl, Output reversal, Scanning Side -ADF ⁷ , Paper Memory Print, Separation, Recommendation Preview, Color, Program, Job Separation ⁸ , Slip sheet sorting, Job Memory, Reservation, Editor, Idling Action, Confidential, My Direct Access, Meter Display, ID Counter Report, Proof Copy, Direct Printing, USB Job List, Scanning Mode, Admin., Auto Sleep, Auto Power-OFF, Power-OFF Schedule, Protect, RISO iQuality System, Application Linkage
PC Interface		USB2.0, Ethernet: 100BASE-TX/10BASE-T
Ink Supply		Full automatic (1000 ml/cartridge)
Master Supply/Disposal		Full automatic A3 approx. 220 sheets per roll/Disposal capacity: approx. 80 sheets
Power Source		AC 100-240 V, 50-60 Hz <7.3-3.0 A>
Power Consumption	Standard	Max. 630 W (AC 100-120V), 580 W (AC 220-240V), Ready: 50 W or lower, Sleep: (Standard) 5 W or lower, (Low) 0.5 W or lower, Power-OFF: 0.5 W or lower
	Optional Accessories Connected ⁸	Max. 630 W (AC 100-120V), 580 W (AC 220-240V), Ready: 53 W or lower, Sleep: (Standard) 10 W or lower, (Low) 1.5 W or lower, Power-OFF: 0.5 W or lower
Dimensions (W×D×H) ⁹	In use	63 31/32 inches × 28 15/16 inches × 43 29/32 inches (1625 mm × 735 mm × 1115 mm)
	In storage	39 9/16 inches × 28 15/16 inches × 43 29/32 inches (1005 mm × 735 mm × 1115 mm)
Required Space (W×D×H)		67 17/32 inches × 52 3/8 inches × 61 13/16 inches (1715 mm × 1330 mm × 1570 mm)
Weight ¹⁰		Approx. 362-lb (164 kg)

¹ Measurement value when set to 100% reproduction ratio. ² When the optional Wide Stacking Tray is installed, you can use paper up to a size of 13 3/8 inches × 21 27/32 inches (340 mm × 555 mm) by setting [Custom Paper Entry]. ³ The print position may not be stabilized when a Letter, B5 or A4 size sheet is printed in a single color with print drum (cylinder) 2. When printing at [High Speed] and using paper with a horizontal length of less than 3 15/16 inches (36.4 mm), the print position may not be stabilized. ⁴ When using the following weight of paper: 17-lb bond to 21-lb bond (64 gsm to 80 gsm). ⁵ If the temperature of the inside of the print drum (cylinder) is less than 59°F (15°C) [High Speed] is not usable. In order to use [High Speed] when you print in mono-color mode with print drum (cylinder) 2 while print drum (cylinder) 1 is removed, use paper with a length of 14 11/32 inches to 17 inches (364 mm to 432 mm) in the horizontal direction. ⁶ Usable when the optional auto document feeder is installed. ⁷ Usable when the optional Job Separator is installed. ⁸ When all the following optional accessories are installed. Auto Document Feeder, Job Separator and IC Card Reader. ⁹ The height includes the dedicated rack. ¹⁰ The weight does not include the ink, master roll, and rack.
Notes: Specifications are subject to change without notice.

Dimensions



RISO and RISO iQualitySystem are trademarks or registered trademarks of RISO KAGAKU CORPORATION in the United States and other countries.

Other corporate names and/or trademarks are either registered trademarks or trademarks of each company, respectively.

Copyright ©2021 RISO KAGAKU CORPORATION. All rights reserved.



RISO LATIN AMERICA, INC.
13680 NW 5th Street, Suite 100 - Sunrise, FL 33325, U.S.A
<https://www.risolatin.com/>